

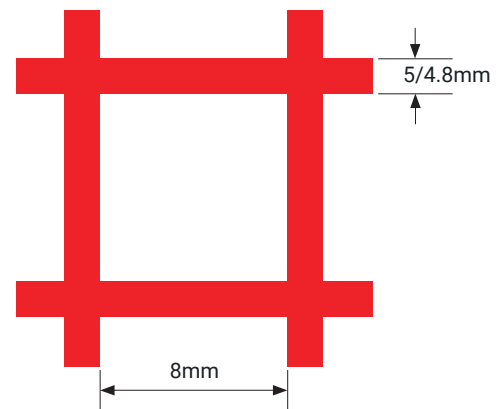
DATASHEET DS-DST-06

MECHANICAL AND PHYSICAL DATA OF MICRO MESH MOULDED FIBREGLASS GRATING (22 AND 30MM)

Grating Depth (mm)	Bar Thickness		Parameter				No. of Bars Per 300mm	% Glass Content	Weight KG/M	% Open Area
	Top	Btm	Tensile Strength	Tensile Modulus	Flexural Strength	Flexural Modulus				
22	6	4.8	210-350 MPa	10.5 - 12.7 GPa	320-530 MPa	14 - 28 GPa	22	33	16.5	36.0
30	6	5.0	210-350 MPa	10.5 - 12.7 GPa	320-530 MPa	14 - 28 GPa	22	32.5	19.58	36.0

Weight

- 22mm: 16.5KG/metre².
- 30mm: 19.58KG/metre².

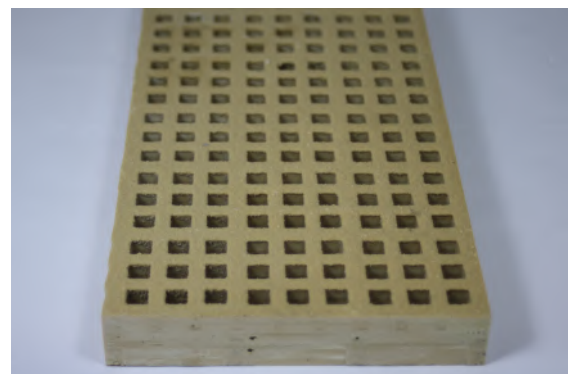


Mechanical Data

- Elastic Modulus 27GPa.
- Flexural Strength 2.8GPa.
- Tensile Strength 650MPa.
- Compressive Strength 90MPa.
- Dielectric Strength 18KW/mm.
- Specific Gravity 1.5÷1.7.
- Thermal Expansion Factor 13×10^{-6} mm/mm °C.
- Water Absorption 0.1% + 0.3% x 24 hours (ISO R62).
- Operating Temperature -100°C to +180°C.

Manufacturing Tolerances

- Standard Panel Size = +2mm, -0mm.
- Cut Panel Size = ±3mm.
- Thickness = ±1mm.
- Mesh Pattern = ±0.5mm.



FOR MORE INFO

Call: 01206 322 899

Email: sales@deck-safe.co.uk

Visit: www.decksafe.co.uk

V3-25.01.2019