

## MECHANICAL AND PHYSICAL DATA OF MINI MESH MOULDED FIBREGLASS GRATING (22, 30 AND 38MM)

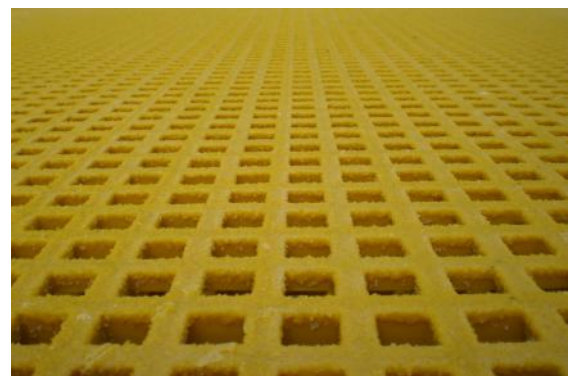
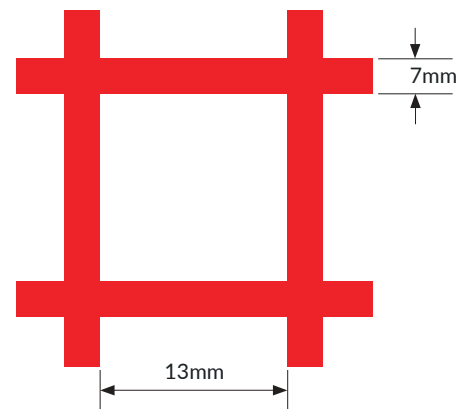
Grating Depth (mm)	Bar Thickness		Per 300mm of Width				No. of Bars Per 300mm	% Glass Content	Weight KG/M <sup>2</sup>	% Open Area
	Top	Btm	cm <sup>2</sup>	cm <sup>3</sup>	cm <sup>4</sup>	EI KG/M <sup>2</sup>				
22	7	5	14.8	4.2	5.5	78.1	15	32.3	16	42
30	7	5	17.9	9.3	17.5	250	15	32.2	18.8	42
30	7	5	21.2	14.7	30.8	448	8	32.2	24.5	42

### Weight

- 22 x 20mm: 16KG/metre<sup>2</sup>.
- 30 x 20mm: 18.8KG/metre<sup>2</sup>.
- 38 x 20mm: 24.5KG/metre<sup>2</sup>.

### Mechanical Data

- Elastic Modulus 27GPa.
- Flexural Strength 2.8GPa.
- Tensile Strength 650MPa.
- Compressive Strength 90MPa.
- Dielectric Strength 18KW/mm.
- Specific Gravity 1.5÷1.7.
- Thermal Expansion Factor 13 x 10<sup>-6</sup> mm/mm °C.
- Water Absorption 0.1% + 0.3% x 24 hours (ISO R62).
- Operating Temperature -100°C to +180°C.



### Manufacturing Tolerances

- Standard Panel Size = +2mm, -0mm.
- Cut Panel Size = ±3mm.
- Thickness = ±1mm.
- Mesh Pattern = ±0.5mm.

### FOR MORE INFO

Call: 01206 322 899

Email: sales@deck-safe.co.uk

Visit: www.decksafe.co.uk

V4-25.01.2019