

MECHANICAL AND PHYSICAL DATA OF MOULDED 80% FREE MESH FIBREGLASS GRATING

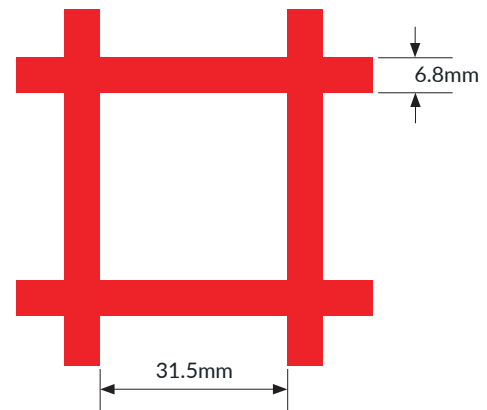
Grating Depth (mm)	Bar Thickness		Per 300mm of width				No. of Bars Per 300mm	% Glass Content	Weight KG/M	% Open Area
	Top	Btm	cm ²	cm ³	cm ⁴	EI kG/m ²				
38	6.80	5	20.1	42.8	16.8	275	6	32	15.82	80

Weight

- 38mm: 15.82kg/metre².

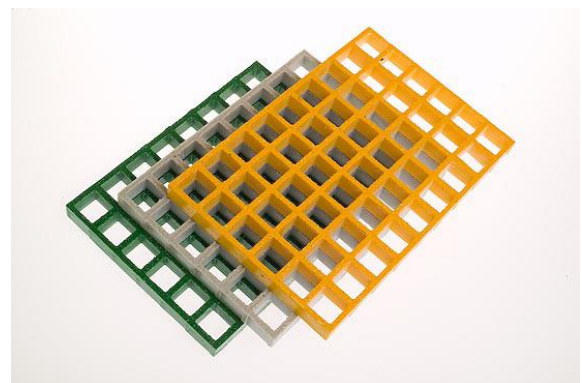
Mechanical Data

- Elastic Modulus 27GPa.
- Flexural Strength 2.8GPa.
- Tensile Strength 650MPa.
- Compressive Strength 90MPa.
- Dielectric Strength 18KW/mm.
- Specific Gravity 1.5÷1.7.
- Thermal Expansion Factor 13 x 10⁻⁶ mm/mm °C.
- Water Absorption 0.1% + 0.3% x 24 hours (ISO R62).
- Operating Temperature -100°C to +180°C.



Manufacturing Tolerances

- Standard Panel Size = +2mm, -0mm.
- Cut Panel Size = ±3mm.
- Thickness = ±1mm.
- Mesh Pattern = ±0.5mm.



FOR MORE INFO

Call: 01206 322 899

Email: sales@deck-safe.co.uk

Visit: www.decksafe.co.uk

V3-25.01.2019